

# ASSEMBLY INSTRUCTION



① x1



② x2



③ x8



M8x20mm

④ x1

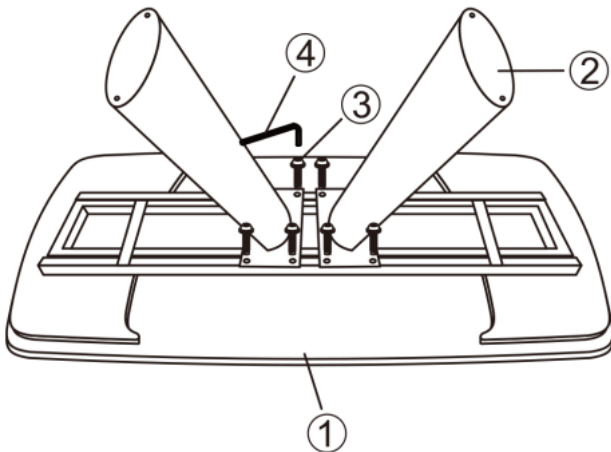


M6

⑤ x4



1



2

